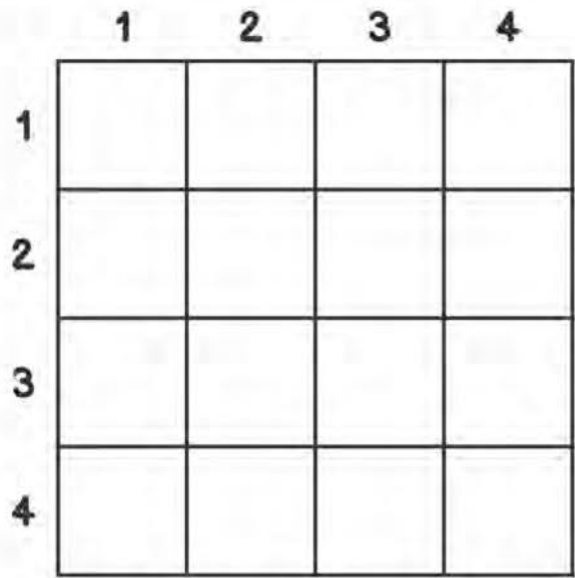
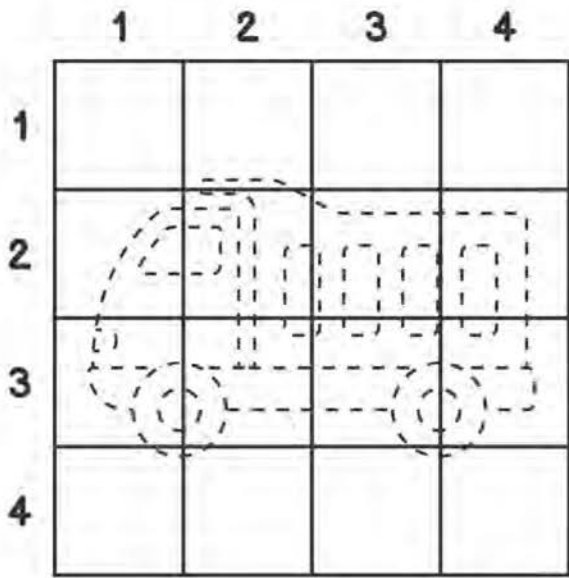
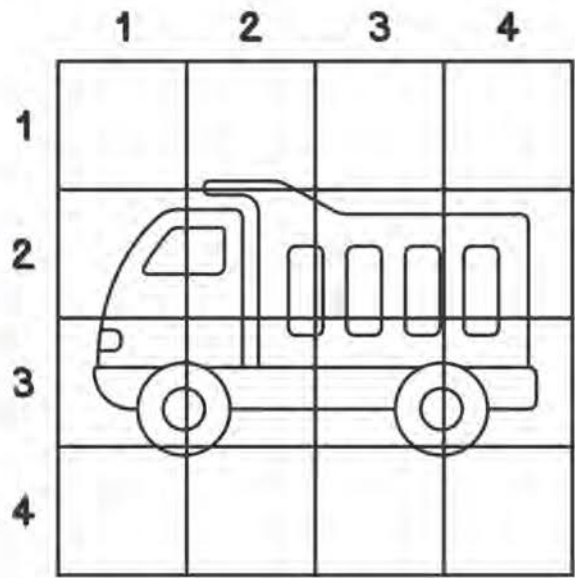
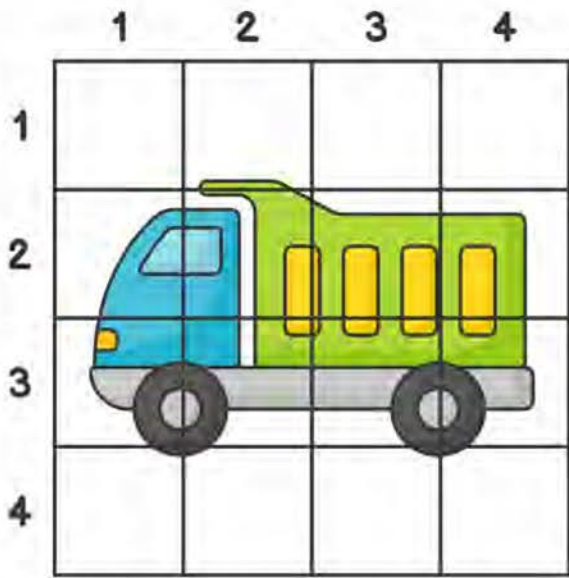
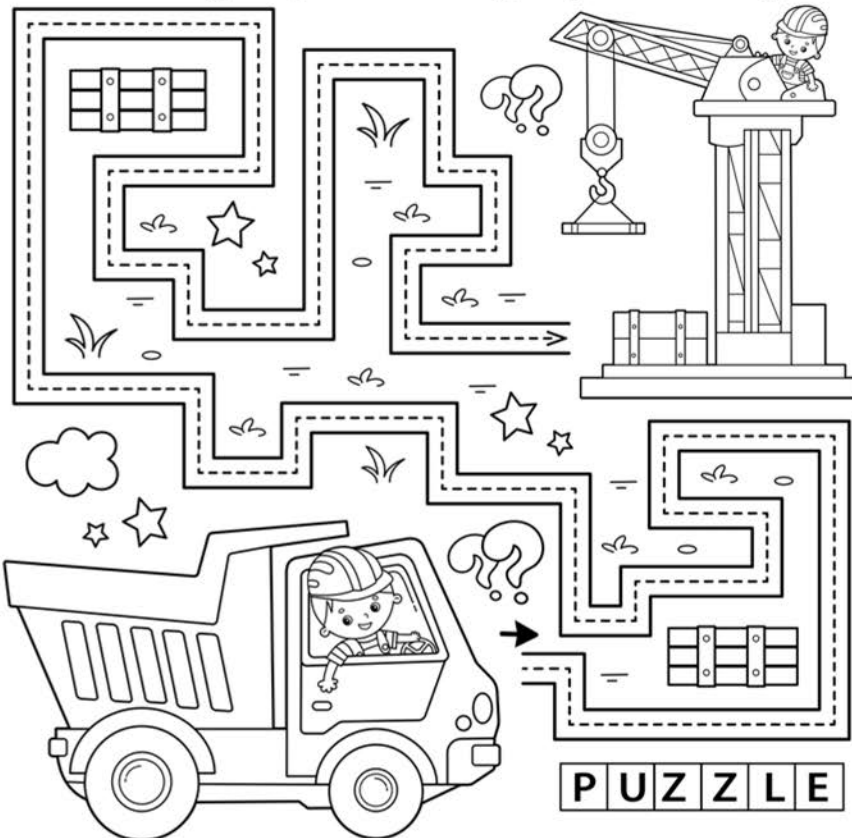


# Copy The Picture



Move along the path without going over the edges



How many are there?



- 1.FORKLIFT 2.DIGGER 3.TRACTOR
- 4.TIPPER 5.DOZER 6.CRANE 7.TRUCK 8.BUS

ANSWERS TO  
PUZZLE ON P28